

EUR MARK

ELEVAGE

CHARGER



Straw blower for telescopic

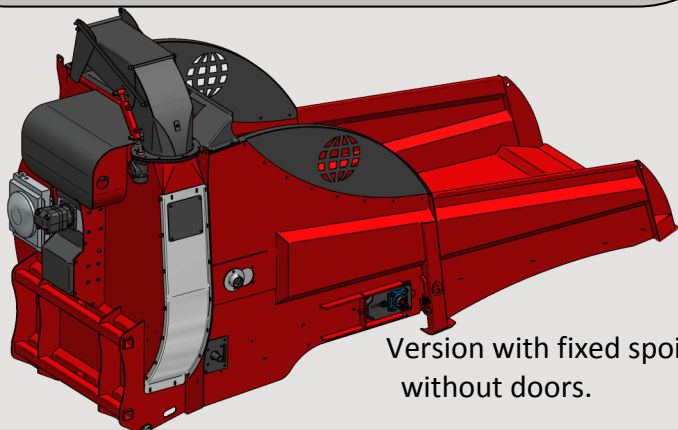
For round bales (Ø 2m) and cubic (1 2.50 m)

Useful capacity : 2.1 m³

Our material ranges respond for all types of exploitation for the care and feeding of your animals. Because we know that these equipments will facilitate your daily use as well, as maintenance of your machine, we chose to equip our machines series of :

Series equipment :

- ★ Removable stainless steel housing,
- ★ Monocoque box non-deformable,
- ★ Detachables base and double base,
- ★ Fibre separator,
- ★ High strength conveyor with marine chain of Ø 12mm,
- ★ Usury plates of 4 mm below the chains,
- ★ Blower double flow with 8 blades « TWIN »,
- ★ Bearings with grease nipple on conveyor shaft, walnut Hardox,
- ★ Drive by hydraulic motor.
- ★ Ergonomic wired electric controls



Version with fixed spoiler, without doors.

High-performance solutions serving your farm

Options : **At the cutting edge of progress !**



Bluetooth command : *BlueControl*

All hydraulic and electric functions of straw blower are controlled from the telescopic cab using a Bluetooth command. The case plugs into the 12 volt socket, the controls are intuitive. The farmer can concentrate on his site without worrying about wiring or hoses. At the end of the site, the case remains protected from humidity and bad weather inside the cabin.



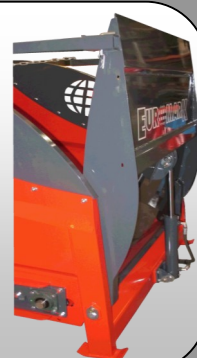
Directional delivery chute at 320°



Oil cooler



Hydraulic back door 650 kg

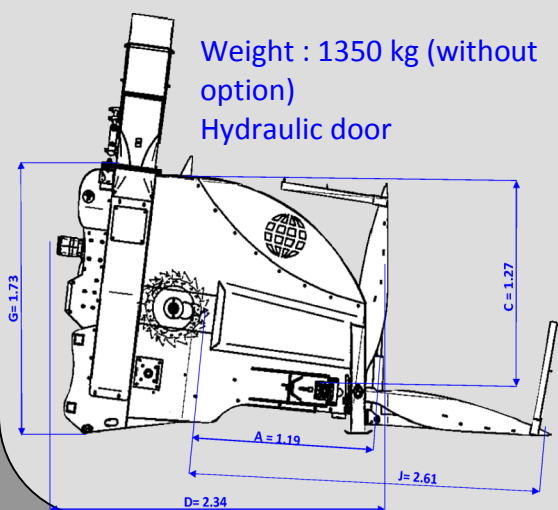


Characteristics :

Minimum flow rate required = 90 liters/mn real end arrows

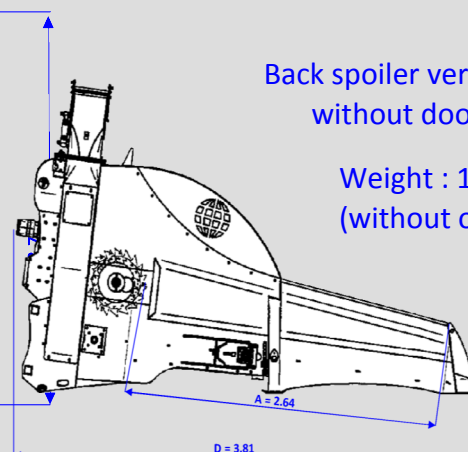
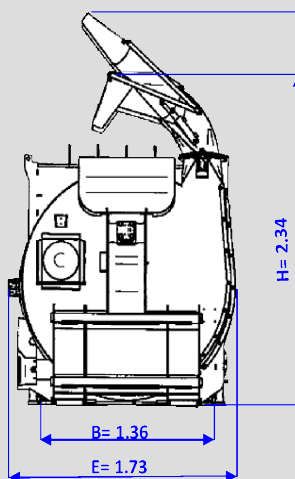
Useful capacity : 2.10 m³

Weight : 1350 kg (without option)
Hydraulic door



Back spoiler version, without door

Weight : 1370 kg (without option)



EUROMARK

ELEVAGE

ZA DE LA TOUCHE - 35137 BEDEE - France
Tél : (33)02.99.06.12.60 - Fax: (33) 02.99.06.12.65
[Http:// www.euromark.fr](http://www.euromark.fr)